



SXM220

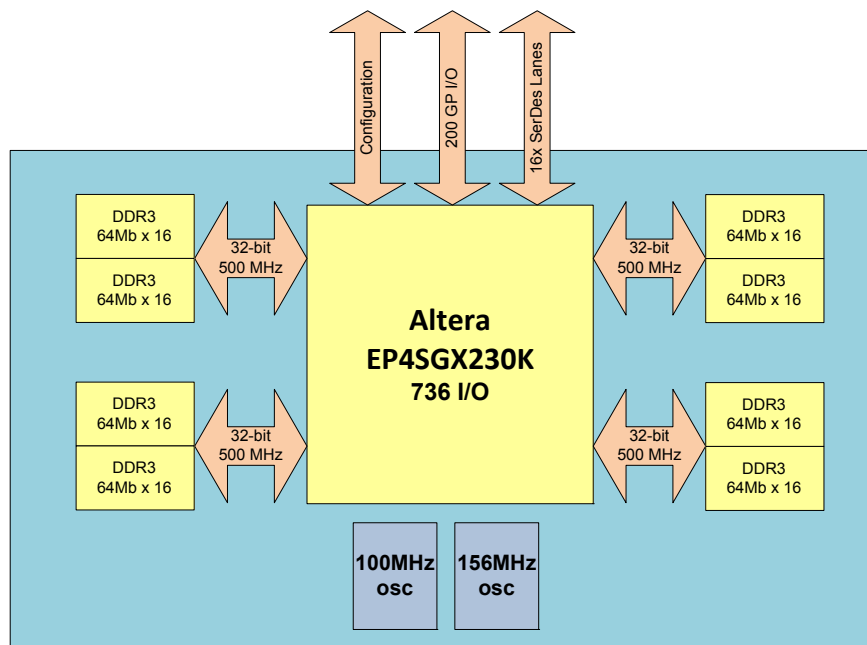
Embedded Computing Module

ENHANCED ALTERA STRATIX IV SGX230K MODULE WITH MEMORY

The SXM220 is an off-the-shelf high performance embedded computing module integrating an Altera EP4SGX230K FPGA, 8 Gbits of DDR3 memory with integrated interconnect buses, 2 local oscillators, and power distribution. The module utilizes siXis' unique Silicon Circuit Board (SiCB) technology. This technology uses a combination of bare-die and packaged components to achieve superior size, weight, and power characteristics in an industry-standard package allowing it to be processed using commercial methods.

Key Features

- Altera EP4SGX230K FPGA (bare die)
- 8 Gbits 500MHz DDR3 memory
- On-board bypass capacitors
- 2 oscillators
- 45 x 54 x 3.5 mm package



SXM220 Technical Specifications

Compute FPGA:

- Altera EP4SGX230K bare die
 - 228,000 FFs
 - 14,283 kbits Embedded memory
 - 644 18x18-bit multipliers

Memory:

- 8 DDR3 memory bare die
 - 1Gbit each 64M x 16 bits
 - 16-bit 500MHz
 - Independent address and control

Mechanical:

- 45 x 54 x 3.5 mm
- 1500 pin BGA package

I/O:

- Config and JTAG
- 16 SerDes links
- 200 general purpose I/O

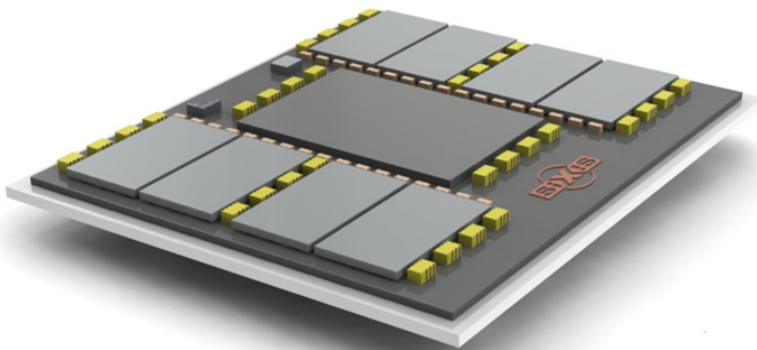
Oscillators:

- 100 MHz
- 156.25 MHz
- Other frequencies available

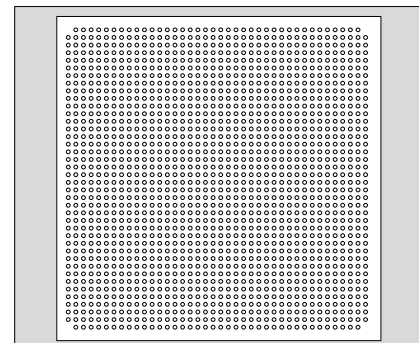
Required Input Power:

- 0.9 VDC
- 1.1 VDC
- 1.4 VDC
- 1.5 VDC
- 2.5 VDC

Custom variations available including different FPGAs, memory, and oscillators. Please contact siXis for more information.



**SXM220 Embedded
Computing Module**



**1500 pin BGA (1 mm pitch)
45 x 54 mm
(actual size)**